



LED Tube Light
BRIGHTEN YOUR LIFE
NEW LED TECHNOLOGY THAT ALLOWS THE
COEXISTENCE OF ENVIRONMENTAL
PROTECTION AND ENERGY SAVING

Benefits

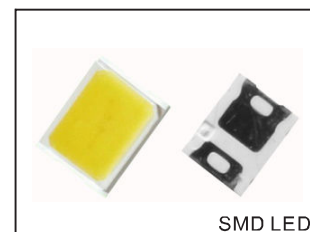
1. Conventional Tube Retrofit.
2. Precision Die Cast Aluminum Heat Sinks.
3. Durable Chip and Fade Resistant Powder Coat Finish.
4. Easy Installation.
5. ISO CE ROHS Listed.



BB-RTGD-XXX

Features

1. Beam angle:360 degrees.
2. Aluminum die-casting heat sinks is good for heat dissipation.
3. It's major to replace the conventional tube light.
4. Green, energy saving, long and reliable life of 50,000 hours.
5. No RF interference, No IR/UV radiation ,no mercury pollution.
6. Wide colour availability in degrees Kelvin(K),2700-6700K.
7. Streamline exterior design, beautiful appearance.
8. Environment friendly ,energy saving (70~80%).
9. Special circuit design, each LED work separately, avoiding the single broken LED influence problem.



Application

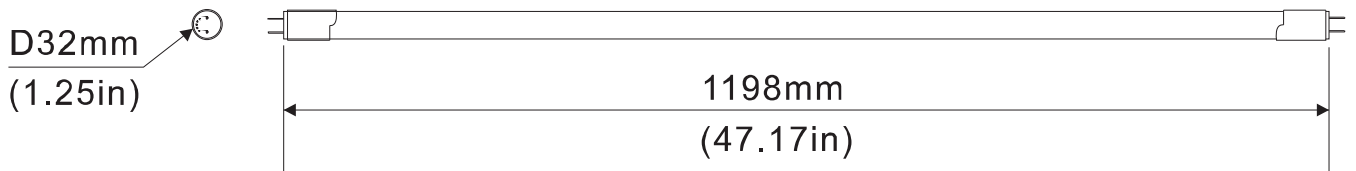
1. Office Lamp.
2. Library Lamp.
3. Factory Lamp.
4. Meeting room Lamp.



SPECIFICATIONS

Power	20W
Model	BB-RTGD-20W
Luminous Flux	2400lm
Replacement	HPS 75W
Dimension	D32*1198mm(D1.25*47.17in)
Light Source	SMD LED
Luminous Efficacy	>120lm/w
Operation Temp.	-40 to +45°C
CCT	2700K SW / 3000K WW / 4100K NW / 5000K DW / 5700K CW
CRI	80
Life Span	50,000 hours at 25°C
Voltage	100-277VAC/50-60HZ 200-480VAC available
Driver	UL listed power supply
Emergency Module	Available
Dimming	Available
Beam Angle	360°
PF	>0.95
Warranty	3Years

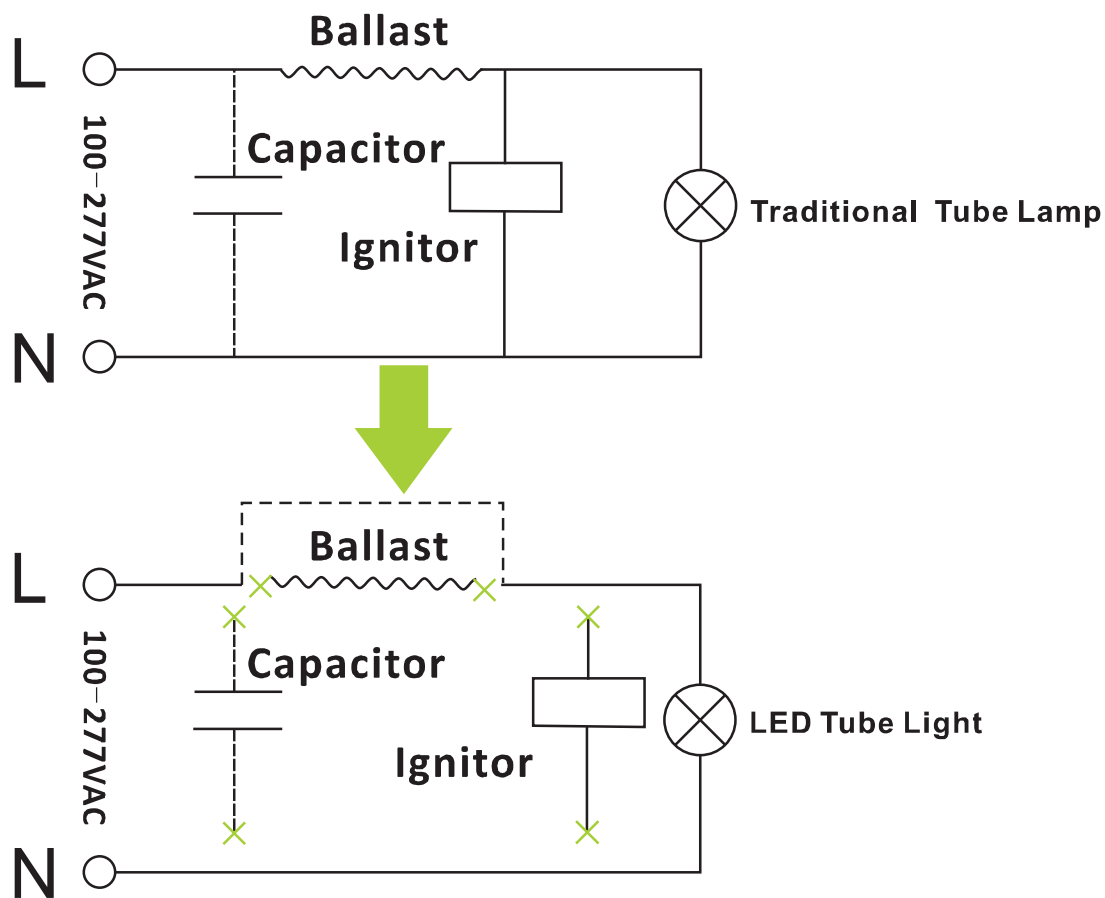
DIMENSIONAL DRAWING



INSTALLATION

Normally, The Traditional Tube Light has the ballast or capacitor or ignitor.

Replace Traditional Tube Light



1. Remove the Ballast, Capacitor, Ignitor.
2. Only need to put the L (live wire), N (null line) connected to the external power supply.

PACKING INFO



Packaging unit	Carton Size(mm) (L*W*H)	N.W	G.W	Volume weight
30pcs/CTN	1300*310*260mm	17.0kg	18.0kg	22.0kg